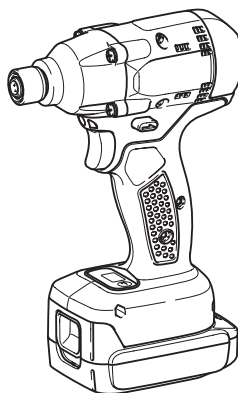


INSTRUCTION MANUAL
MANUEL D'INSTRUCTION
MANUAL DE INSTRUCCIONES



Cordless Impact Driver Tournevis à Chocs sans Fil Atornillador de Impacto Inalámbrico

DTD044
DTD064
DTD104



IMPORTANT: Read Before Using.

IMPORTANT : Lire avant usage.

IMPORTANTE: Lea antes de usar.

SPECIFICATIONS

Model		DTD044	DTD064	DTD104
Capacities	Machine screw	4 mm - 8 mm (5/32" - 5/16")	4 mm - 8 mm (5/32" - 5/16")	4 mm - 8 mm (5/32" - 5/16")
	Standard bolt	5 mm - 10 mm (3/16" - 3/8")	5 mm - 12 mm (3/16" - 1/2")	5 mm - 12 mm (3/16" - 1/2")
	High tensile bolt	5 mm - 6 mm (3/16" - 1/4")	5 mm - 10 mm (3/16" - 3/8")	5 mm - 10 mm (3/16" - 3/8")
No load speed (RPM)		0 - 2,300 /min	0 - 2,500 /min	0 - 2,700 /min
Impacts per minute		0 - 3,500	0 - 3,500	0 - 3,500
Overall length		144 mm (5-5/8")	144 mm (5-5/8")	144 mm (5-5/8")
Standard battery cartridge(s) ⚠Warning: Use only the battery cartridge(s) described.		BL1460A / BL1415NA	BL1460A / BL1415NA	BL1460A / BL1415NA
Net weight		1.3 kg (2.8 lbs) / 1.1 kg (2.4 lbs)	1.3 kg (2.9 lbs) / 1.1 kg (2.4 lbs)	1.3 kg (2.9 lbs) / 1.1 kg (2.4 lbs)
Rated voltage		D.C. 14.4 V	D.C. 14.4 V	D.C. 14.4 V

- Due to our continuing program of research and development, the specifications herein are subject to change without notice.
- Specifications and battery cartridge may differ from country to country.
- Weight, with battery cartridge, according to EPTA-Procedure 01/2003

General Power Tool Safety Warnings

⚠WARNING Read all safety warnings and all instructions. Failure to follow the warnings and instructions may result in electric shock, fire and/or serious injury.

Save all warnings and instructions for future reference.

The term "power tool" in the warnings refers to your mains-operated (corded) power tool or battery-operated (cordless) power tool.

Work area safety

1. **Keep work area clean and well lit.** Cluttered or dark areas invite accidents.
2. **Do not operate power tools in explosive atmospheres, such as in the presence of flammable liquids, gases or dust.** Power tools create sparks which may ignite the dust or fumes.
3. **Keep children and bystanders away while operating a power tool.** Distractions can cause you to lose control.

Electrical safety

4. **Power tool plugs must match the outlet. Never modify the plug in any way. Do not use any adapter plugs with earthed (grounded) power tools.** Unmodified plugs and matching outlets will reduce risk of electric shock.
5. **Avoid body contact with earthed or grounded surfaces such as pipes, radiators, ranges and refrigerators.** There is an increased risk of electric shock if your body is earthed or grounded.
6. **Do not expose power tools to rain or wet conditions.** Water entering a power tool will increase the risk of electric shock.

7. **Do not abuse the cord. Never use the cord for carrying, pulling or unplugging the power tool. Keep cord away from heat, oil, sharp edges or moving parts.** Damaged or entangled cords increase the risk of electric shock.
8. **When operating a power tool outdoors, use an extension cord suitable for outdoor use.** Use of a cord suitable for outdoor use reduces the risk of electric shock.
9. **If operating a power tool in a damp location is unavoidable, use a ground fault circuit interrupter (GFCI) protected supply.** Use of an GFCI reduces the risk of electric shock.

Personal safety

10. **Stay alert, watch what you are doing and use common sense when operating a power tool. Do not use a power tool while you are tired or under the influence of drugs, alcohol or medication.** A moment of inattention while operating power tools may result in serious personal injury.
11. **Use personal protective equipment. Always wear eye protection.** Protective equipment such as dust mask, non-skid safety shoes, hard hat, or hearing protection used for appropriate conditions will reduce personal injuries.
12. **Prevent unintentional starting. Ensure the switch is in the off-position before connecting to power source and/or battery pack, picking up or carrying the tool.** Carrying power tools with your finger on the switch or energising power tools that have the switch on invites accidents.
13. **Remove any adjusting key or wrench before turning the power tool on.** A wrench or a key left attached to a rotating part of the power tool may result in personal injury.

14. **Do not overreach. Keep proper footing and balance at all times.** This enables better control of the power tool in unexpected situations.
15. **Dress properly. Do not wear loose clothing or jewellery. Keep your hair, clothing, and gloves away from moving parts.** Loose clothes, jewelry or long hair can be caught in moving parts.
16. **If devices are provided for the connection of dust extraction and collection facilities, ensure these are connected and properly used.** Use of dust collection can reduce dust-related hazards.

Power tool use and care

17. **Do not force the power tool. Use the correct power tool for your application.** The correct power tool will do the job better and safer at the rate for which it was designed.
18. **Do not use the power tool if the switch does not turn it on and off.** Any power tool that cannot be controlled with the switch is dangerous and must be repaired.
19. **Disconnect the plug from the power source and/or the battery pack from the power tool before making any adjustments, changing accessories, or storing power tools.** Such preventive safety measures reduce the risk of starting the power tool accidentally.
20. **Store idle power tools out of the reach of children and do not allow persons unfamiliar with the power tool or these instructions to operate the power tool.** Power tools are dangerous in the hands of untrained users.
21. **Maintain power tools. Check for misalignment or binding of moving parts, breakage of parts and any other condition that may affect the power tool's operation. If damaged, have the power tool repaired before use.** Many accidents are caused by poorly maintained power tools.
22. **Keep cutting tools sharp and clean.** Properly maintained cutting tools with sharp cutting edges are less likely to bind and are easier to control.
23. **Use the power tool, accessories and tool bits etc. in accordance with these instructions, taking into account the working conditions and the work to be performed.** Use of the power tool for operations different from those intended could result in a hazardous situation.

Battery tool use and care

24. **Recharge only with the charger specified by the manufacturer.** A charger that is suitable for one type of battery pack may create a risk of fire when used with another battery pack.
25. **Use power tools only with specifically designated battery packs.** Use of any other battery packs may create a risk of injury and fire.
26. **When battery pack is not in use, keep it away from other metal objects, like paper clips, coins, keys, nails, screws or other small metal objects, that can make a connection from one terminal to another.** Shorting the battery terminals together may cause burns or a fire.
27. **Under abusive conditions, liquid may be ejected from the battery; avoid contact. If contact accidentally occurs, flush with water. If liquid contacts eyes, additionally seek medical help.** Liquid ejected from the battery may cause irritation or burns.

Service

28. **Have your power tool serviced by a qualified repair person using only identical replacement parts.** This will ensure that the safety of the power tool is maintained.
29. **Follow instruction for lubricating and changing accessories.**
30. **Keep handles dry, clean and free from oil and grease.**

CORDLESS IMPACT DRIVER SAFETY WARNINGS


1. **Hold power tool by insulated gripping surfaces, when performing an operation where the fastener may contact hidden wiring.** Fasteners contacting a "live" wire may make exposed metal parts of the power tool "live" and could give the operator an electric shock.
2. **Always be sure you have a firm footing. Be sure no one is below when using the tool in high locations.**
3. **Hold the tool firmly.**
4. **Wear ear protectors.**

SAVE THESE INSTRUCTIONS.

⚠WARNING: DO NOT let comfort or familiarity with product (gained from repeated use) replace strict adherence to safety rules for the subject product. **MISUSE** or failure to follow the safety rules stated in this instruction manual may cause serious personal injury.

Symbols

The followings show the symbols used for tool.

v	volts
— ---	direct current
n ₀	no load speed
... /min r /min	revolutions or reciprocation per minute
	number of blow

IMPORTANT SAFETY INSTRUCTIONS

FOR BATTERY CARTRIDGE

1. Before using battery cartridge, read all instructions and cautionary markings on (1) battery charger, (2) battery, and (3) product using battery.
2. Do not disassemble battery cartridge.
3. If operating time has become excessively shorter, stop operating immediately. It may result in a risk of overheating, possible burns and even an explosion.
4. If electrolyte gets into your eyes, rinse them out with clear water and seek medical attention right away. It may result in loss of your eyesight.
5. Do not short the battery cartridge:
 - (1) Do not touch the terminals with any conductive material.
 - (2) Avoid storing battery cartridge in a container with other metal objects such as nails, coins, etc.
 - (3) Do not expose battery cartridge to water or rain.

A battery short can cause a large current flow, overheating, possible burns and even a breakdown.
6. Do not store the tool and battery cartridge in locations where the temperature may reach or exceed 50°C (122°F).
7. Do not incinerate the battery cartridge even if it is severely damaged or is completely worn out. The battery cartridge can explode in a fire.
8. Be careful not to drop or strike battery.
9. Do not use a damaged battery.

SAVE THESE INSTRUCTIONS.

Tips for maintaining maximum battery life

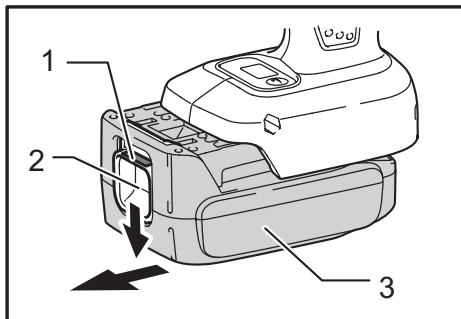
1. Charge the battery cartridge before completely discharged.
Always stop tool operation and charge the battery cartridge when you notice less tool power.
2. Never recharge a fully charged battery cartridge.
Overcharging shortens the battery service life.
3. Charge the battery cartridge with room temperature at 10°C - 40°C (50°F - 104°F). Let a hot battery cartridge cool down before charging it.
4. Charge the battery cartridge once in every six months if you do not use it for a long period of time.

FUNCTIONAL DESCRIPTION

⚠ CAUTION:

- Always be sure that the tool is switched off and the battery cartridge is removed before adjusting or checking function on the tool.

Installing or removing battery cartridge



- 1. Red indicator 2. Button 3. Battery cartridge

⚠ CAUTION:

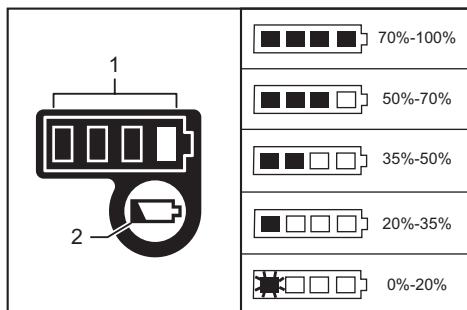
- Always switch off the tool before installing or removing of the battery cartridge.
- **Hold the tool and the battery cartridge firmly when installing or removing battery cartridge.** Failure to hold the tool and the battery cartridge firmly may cause them to slip off your hands and result in damage to the tool and battery cartridge and a personal injury.

To remove the battery cartridge, slide it from the tool while sliding the button on the front of the cartridge. To install the battery cartridge, align the tongue on the battery cartridge with the groove in the housing and slip it into place. Insert it all the way until it locks in place with a little click. If you can see the red indicator on the upper side of the button, it is not locked completely.

⚠ CAUTION:

- Always install the battery cartridge fully until the red indicator cannot be seen. If not, it may accidentally fall out of the tool, causing injury to you or someone around you.
- Do not install the battery cartridge forcibly. If the cartridge does not slide in easily, it is not being inserted correctly.

Checking the remaining battery capacity (BL1460A)



- 1. Indicator lamps 2. Check button

NOTE: Depending on the conditions of use and the ambient temperature, the indication may differ slightly from the actual capacity.

When charging

When the charging begins, the first (far left) indicating lamp begins to flicker. Then, as charging proceeds, the other lamps light, one after the other, to indicate the battery capacity.

NOTE: If the indicator lamp does not turn on or flicker when charging, the battery may be faulty. In this case, ask your local service center.

When using

When the tool is switched on, the lamps will light to indicate the remaining battery capacity. When the tool is switched off, the light goes out after approx. 5 seconds. When pushing the check button with the tool switched off, the indicator lamps turn on for approx. 5 seconds to show battery capacity.

If the orange lamp flickers, the tool stops because of little remaining battery capacity (Auto-stop mechanism). Charge the battery cartridge or use a charged battery cartridge at this time. When the tool is used with the battery that has not been used for a long time and is switched on, no lamps may light up. The tool stops because of little remaining battery capacity at this time. Charge the battery properly.

Battery protection system (BL1460A)

The tool is equipped with a battery protection system. This system automatically cuts off power to the motor to extend battery life.

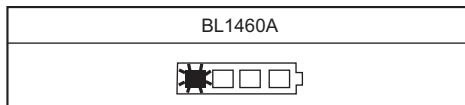
The tool will automatically stop during operation if the tool and/or battery are placed under the following conditions:

- **Overloaded:**

The tool is operated in a manner that causes it to draw an abnormally high current. In this situation, release the switch trigger on the tool and stop the application that caused the tool to become overloaded. Then pull the switch trigger again to restart. If the tool does not start, the battery is overheated. In this situation, let the battery cool before pulling the switch trigger again.

- **Low battery voltage:**

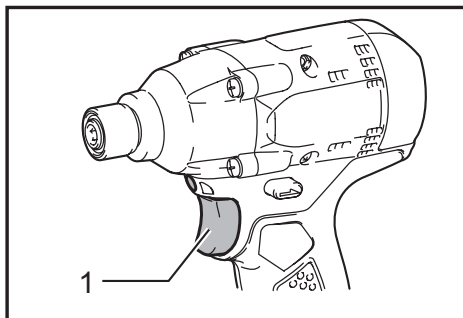
When the battery capacity is not enough, the tool stops automatically and the battery indicator shows following state. In this case, remove the battery from the tool and charge the battery.



Switch action

⚠ CAUTION:

- Before inserting the battery cartridge into the tool, always check to see that the switch trigger actuates properly and returns to the "OFF" position when released.



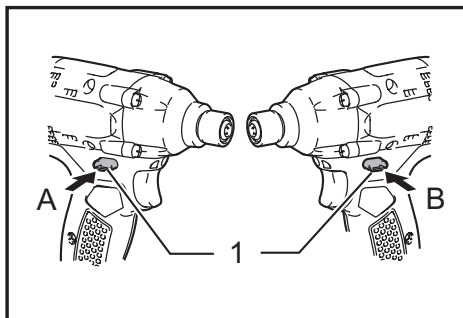
- 1. Switch trigger

To start the tool, simply pull the switch trigger. Tool speed is increased by increasing pressure on the switch trigger. Release the switch trigger to stop.

Reversing switch action

⚠ CAUTION:

- Always check the direction of rotation before operation.
- Use the reversing switch only after the tool comes to a complete stop. Changing the direction of rotation before the tool stops may damage the tool.
- When not operating the tool, always set the reversing switch lever to the neutral position.



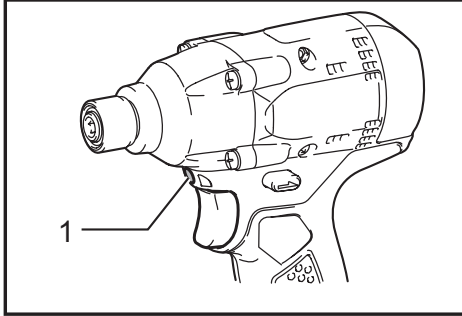
- 1. Reversing switch lever

This tool has a reversing switch to change the direction of rotation. Depress the reversing switch lever from the A side for clockwise rotation or from the B side for counterclockwise rotation. When the reversing switch lever is in the neutral position, the switch trigger cannot be pulled.

Turning on the lamp

CAUTION:

- Do not look in the light or see the source of light directly.



► 1. Lamp

Pull the switch trigger to light up the lamp. The lamp keeps on lighting while the switch trigger is being pulled. The light automatically goes out approximately 10 seconds after the switch trigger is released.

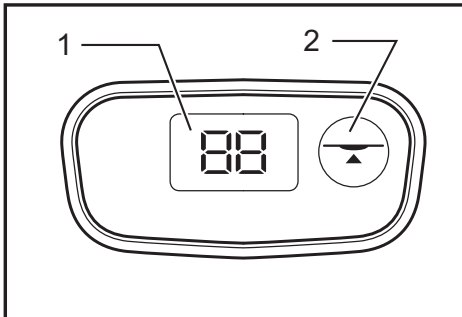
NOTE:

- Use a dry cloth to wipe the dirt off the lens of lamp. Be careful not to scratch the lens of lamp, or it may lower the illumination.

Auto-Stop setting for number of impacts

This tool has a convenient auto-stop mechanism that allows you to preset the desired number of impacts in terms of the application. The tool then stops automatically after reaching the preset number of impacts.

Setting for number of impacts



► 1. Display 2. Indication button

- Pull the switch trigger, and then release it.
- Pull the switch trigger approximately 3 seconds while pressing the indication button, and then release the switch trigger and the indication button.

- The lamp on the left side of the display blinks so that the number of first digit can be changed by pressing the button.
- Press the button and choose the desired number. The displayed number changes fast by keeping pressing the button. To set the first digit, pull the switch trigger and then release it.
- The lamp on the right side of the display starts to blink so that the number of second digit can be changed.
- Press the button and choose the desired number. The displayed number changes fast by keeping pressing the button. To set the second digit, pull the switch trigger and then release it.
- For the final setting, pull the switch trigger while pressing the indication button. The number of impacts is set at once. To reconfigure the number of impacts, pull the trigger without pressing the indication button so that return to 3 above.

Confirming the current setting number

To check the current setting number, pull the trigger once, release it and then press the indication button.

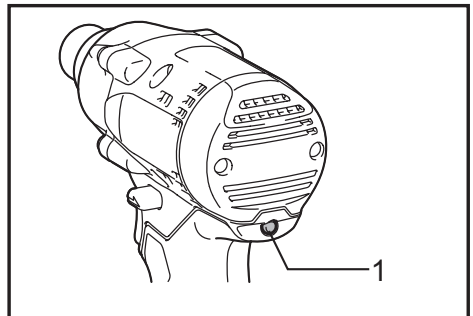
Relation between presetting number and action

Presetting number	Clockwise rotation	Counterclockwise rotation
0	Auto-stop setting does not work.	Auto-stop setting does not work.
01 - 99	After impacting [number of impacts (presetting number x 2) x 0.02] seconds. Green color lamp lights on. Switch off before impacting [number of impacts (presetting number x 2) x 0.02] seconds. Red color lamp lights on. Then, the lamp goes out.	Auto-stop setting does not work. Indication lamp goes out.

NOTE:

- Use presetting number as a guideline. To keep the fastening torque, number of impacts changes automatically by remaining battery capacity.

Indicating lamp



► 1. Indicating lamp

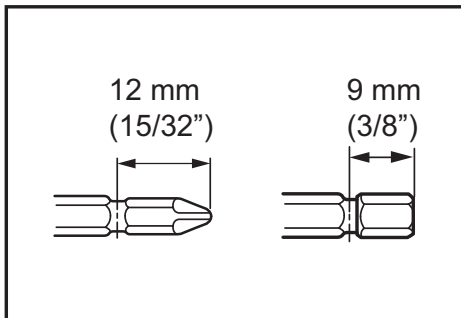
- After impacting preset numbers, the indicating lamp lights in green color.
- The red color light will light on if the trigger is released before the presetting number of impacts is achieved. It indicates that the operation is incomplete.
- When auto-stop mechanism is working, the indicating lamp lights red while the switch trigger is being pulled.

ASSEMBLY

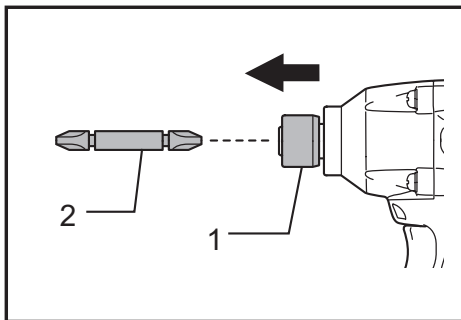
CAUTION:

- Always be sure that the tool is switched off and the battery cartridge is removed before carrying out any work on the tool.

Installing or removing driver bit or socket bit



Use only the driver bit or socket bit shown in the figure. Do not use any other driver bit or socket bit.



► 1. Sleeve 2. Bit

To install the bit, pull the sleeve in the direction of the arrow and insert the bit into the sleeve as far as it will go. Then release the sleeve to secure the bit.

To remove the bit, pull the sleeve in the direction of the arrow and pull the bit out firmly.

NOTE:

- If the bit is not inserted deep enough into the sleeve, the sleeve will not return to its original position and the bit will not be secured. In this case, try re-inserting the bit according to the instructions above.

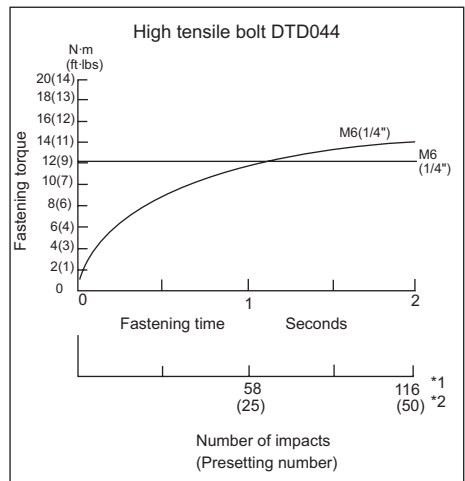
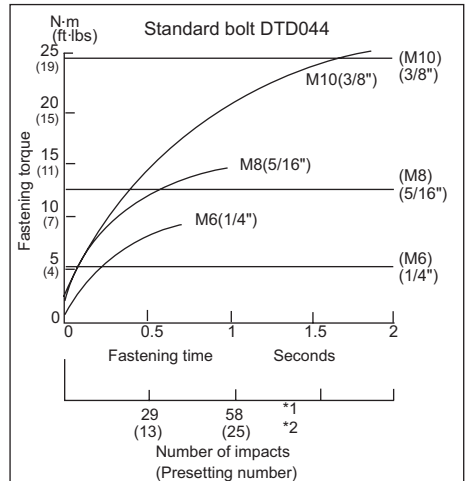
OPERATION

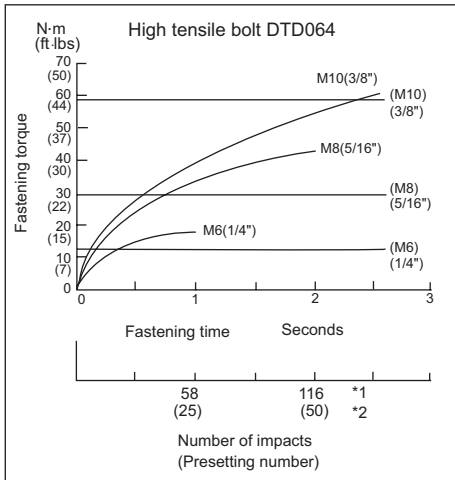
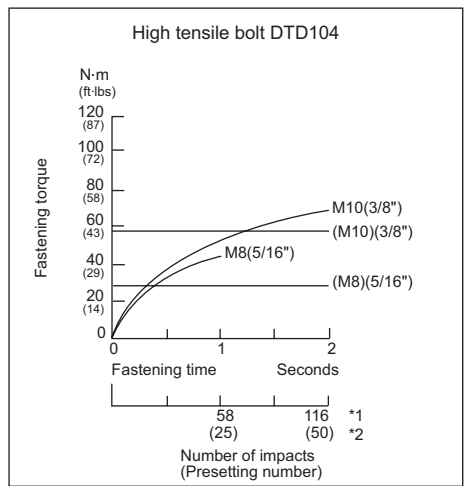
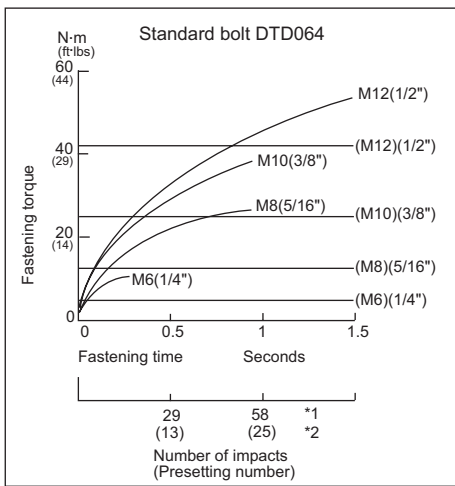
[*1] Presetting number of impacts is impossible for more than 200 impacts (4 seconds).

[*2] Fastening time includes when you pull the trigger completely.

The proper fastening torque may differ depending upon the kind or size of the screw/bolt, the material of the workpiece to be fastened, etc. The relation between fastening torque, fastening time and number of impacts (presetting number) is shown in the figures.

Hold the tool firmly and place the point of the driver bit in the screw head. Apply forward pressure to the tool to the extent that the bit will not slip off the screw and turn the tool on to start operation.

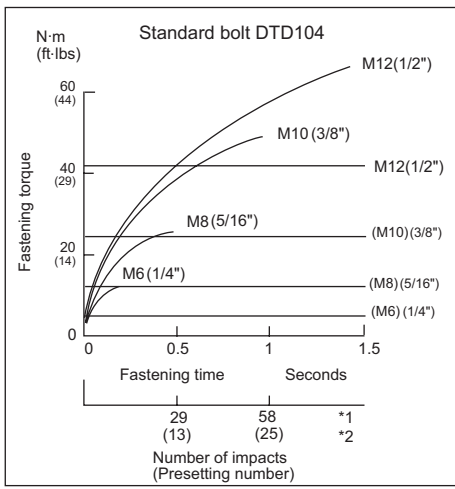




- NOTE:**
- Use the proper bit for the head of the screw/bolt that you wish to use.
 - Hold the tool pointed straight at the screw.
 - If you tighten the screw for a time longer than shown in the figures, the screw or the point of the driver bit may be overstressed, stripped, damaged, etc. Before starting your job, always perform a test operation to determine the proper fastening time for your screw.
 - If the tool is operated continuously until the battery cartridge has discharged, allow the tool to rest for 15 minutes before proceeding with a fresh battery.

The fastening torque is affected by a wide variety of factors including the following. After fastening, always check the torque with a torque wrench.

1. When the battery cartridge is discharged almost completely, voltage will drop and the fastening torque will be reduced.
2. Driver bit or socket bit
Failure to use the correct size driver bit or socket bit will cause a reduction in the fastening torque.
3. Bolt
 - Even though the torque coefficient and the class of bolt are the same, the proper fastening torque will differ according to the diameter of bolt.
 - Even though the diameters of bolts are the same, the proper fastening torque will differ according to the torque coefficient, the class of bolt and the bolt length.
4. The use of the universal joint or the socket adapter somewhat reduces the fastening force of the tool. Compensate by fastening for a longer period of time.
5. Type of materials to be fastened, the manner of holding the tool and the tool speed will affect the torque.
6. Operating the tool at low speed will cause a reduction in the fastening torque.



MAINTENANCE

⚠ CAUTION:

- Always be sure that the tool is switched off and the battery cartridge is removed before attempting to perform inspection or maintenance.
- Never use gasoline, benzine, thinner, alcohol or the like. Discoloration, deformation or cracks may result.

To maintain product SAFETY and RELIABILITY, repairs, carbon brush inspection and replacement, any other maintenance or adjustment should be performed by Makita Authorized or Factory Service Centers, always using Makita replacement parts.

OPTIONAL ACCESSORIES

⚠ CAUTION:

- These accessories or attachments are recommended for use with your Makita tool specified in this manual. The use of any other accessories or attachments might present a risk of injury to persons. Only use accessory or attachment for its stated purpose.

If you need any assistance for more details regarding these accessories, ask your local Makita Service Center.

- Screw bits
- Protector (white, blue, red)
- Battery Protector for BL1460A
- Battery Protector for BL1415NA
- Battery BL1460A
- Battery BL1415NA
- Makita genuine charger

NOTE:

- Some items in the list may be included in the tool package as standard accessories. They may differ from country to country.

MAKITA LIMITED WARRANTY

Please refer to the annexed warranty sheet for the most current warranty terms applicable to this product. If annexed warranty sheet is not available, refer to the warranty details set forth at below website for your respective country.

United States of America: www.makitatools.com

Canada: www.makita.ca

Other countries: www.makita.com

SPÉCIFICATIONS

Modèle		DTD044	DTD064	DTD104
Capacités	Vis de mécanique	4 mm - 8 mm (5/32" - 5/16")	4 mm - 8 mm (5/32" - 5/16")	4 mm - 8 mm (5/32" - 5/16")
	Boulon standard	5 mm - 10 mm (3/16" - 3/8")	5 mm - 12 mm (3/16" - 1/2")	5 mm - 12 mm (3/16" - 1/2")
	Boulon à haute résistance	5 mm - 6 mm (3/16" - 1/4")	5 mm - 10 mm (3/16" - 3/8")	5 mm - 10 mm (3/16" - 3/8")
Vitesse à vide (T/MIN)		0 - 2 300 /min	0 - 2 500 /min	0 - 2 700 /min
Percussions par minute		0 - 3 500	0 - 3 500	0 - 3 500
Longueur totale		144 mm (5-5/8")	144 mm (5-5/8")	144 mm (5-5/8")
Batterie(s) standard(s) ⚠ Avertissement : Utilisez seulement la/les batterie(s) décrite(s).		BL1460A / BL1415NA	BL1460A / BL1415NA	BL1460A / BL1415NA
Poids net		1,3 kg (2,8 lbs) / 1,1 kg (2,4 lbs)	1,3 kg (2,9 lbs) / 1,1 kg (2,4 lbs)	1,3 kg (2,9 lbs) / 1,1 kg (2,4 lbs)
Tension nominale		C.C. 14,4 V	C.C. 14,4 V	C.C. 14,4 V

- Étant donné l'évolution constante de notre programme de recherche et de développement, les spécifications contenues dans ce manuel sont sujettes à modification sans préavis.
- Les caractéristiques techniques et la batterie peuvent varier suivant les pays.
- Poids, batterie comprise, conforme à la procédure EPTA de 01/2003

Consignes de sécurité générales pour outils électriques

⚠ MISE EN GARDE Veuillez lire toutes les mises en garde de sécurité et toutes les instructions. L'ignorance des mises en garde et des instructions comporte un risque de choc électrique, d'incendie et/ou de blessure grave.

Conservez toutes les mises en garde et instructions pour référence future.

Le terme « outil électrique » qui figure dans les avertissements fait référence à un outil électrique branché sur une prise de courant (par un cordon d'alimentation) ou alimenté par batterie (sans fil).

Sécurité de la zone de travail

1. **Maintenez la zone de travail propre et bien éclairée.** Les zones de travail encombrées ou sombres ouvrent grande la porte aux accidents.
2. **N'utilisez pas les outils électriques dans les atmosphères explosives, par exemple en présence de liquides, gaz ou poussières inflammables.** Les outils électriques produisent des étincelles au contact desquelles la poussière ou les vapeurs peuvent s'enflammer.
3. **Assurez-vous qu'aucun enfant ou curieux ne s'approche pendant que vous utilisez un outil électrique.** Vous risquez de perdre la maîtrise de l'outil si votre attention est détournée.

Sécurité en matière d'électricité

4. **Les fiches d'outil électrique sont conçues pour s'adapter parfaitement aux prises de courant. Ne modifiez jamais la fiche de quelque façon que ce soit. N'utilisez aucun adaptateur de**

fiche sur les outils électriques avec mise à la terre. En ne modifiant pas les fiches et en les insérant dans des prises de courant pour lesquelles elles ont été conçues vous réduirez les risques de choc électrique.

5. **Évitez tout contact corporel avec les surfaces mises à la terre, telles que les tuyaux, radiateurs, cuisinières et réfrigérateurs.** Le risque de choc électrique est plus élevé si votre corps se trouve mis à la terre.
6. **N'exposez pas les outils électriques à la pluie ou à l'eau.** La présence d'eau dans un outil électrique augmente le risque de choc électrique.
7. **Ne maltraitez pas le cordon. N'utilisez jamais le cordon pour transporter, tirer ou débrancher l'outil électrique. Maintenez le cordon à l'écart des sources de chaleur, de l'huile, des objets à bords tranchants et des pièces en mouvement.** Le risque de choc électrique est plus élevé lorsque les cordons sont endommagés ou enchevêtrés.
8. **Lorsque vous utilisez un outil électrique à l'extérieur, utilisez un cordon prolongateur prévu à cette fin.** Les risques de choc électrique sont moindres lorsqu'un cordon conçu pour l'extérieur est utilisé.
9. **Si vous devez utiliser un outil électrique dans un endroit humide, utilisez une source d'alimentation protégée par un disjoncteur de fuite à la terre.** L'utilisation d'un disjoncteur de fuite à la terre réduit le risque de choc électrique.

Sécurité personnelle

10. **Restez alerte, attentif à vos mouvements et faites preuve de bon sens lorsque vous utilisez un outil électrique. Évitez d'utiliser un outil électrique si vous êtes fatigué ou si vous avez pris une drogue, de l'alcool ou un médicament.** Un moment d'inattention pendant l'utilisation d'un outil électrique peut entraîner une grave blessure.

11. **Portez des dispositifs de protection personnelle. Portez toujours un protecteur pour la vue.** Les risques de blessure seront moins élevés si vous utilisez des dispositifs de protection tels qu'un masque antipoussières, des chaussures à semelle antidérapante, une coiffure résistante ou une protection d'oreilles.
12. **Évitez les démarrages accidentels. Assurez-vous que l'interrupteur soit en position d'arrêt avant de brancher l'outil à la prise électrique et/ou au bloc-piles, avant de prendre ou de transporter l'outil.** Vous ouvrez la porte aux accidents si vous transportez les outils électriques avec le doigt sur l'interrupteur ou si vous les branchez alors que l'interrupteur est en position de marche.
13. **Retirez toute clé de réglage ou de serrage avant de mettre l'outil sous tension.** Toute clé laissée en place sur une pièce rotative de l'outil électrique peut entraîner une blessure.
14. **Maintenez une bonne position. Assurez-vous d'une bonne prise au sol et d'une bonne position d'équilibre en tout temps.** Cela vous permettra d'avoir une meilleure maîtrise de l'outil dans les situations imprévues.
15. **Portez des vêtements adéquats. Ne portez ni vêtements amples ni bijoux. Vous devez maintenir cheveux, vêtements et gants à l'écart des pièces en mouvement.** Les pièces en mouvement peuvent happer les vêtements amples, les bijoux et les cheveux longs.
16. **Si des accessoires sont fournis pour raccorder un appareil d'aspiration et de collecte de la poussière, assurez-vous qu'ils sont correctement raccordés et qu'ils sont utilisés de manière adéquate.** L'utilisation d'un appareil d'aspiration permet de réduire les risques liés à la présence de poussière dans l'air.

Utilisation et entretien des outils électriques

17. **Ne forcez pas l'outil électrique. Utilisez l'outil électrique adéquat suivant le type de travail à effectuer.** Si vous utilisez l'outil électrique adéquat et respectez le régime pour lequel il a été conçu, il effectuera un travail de meilleure qualité et de façon plus sécuritaire.
18. **N'utilisez pas l'outil électrique s'il n'est pas possible de mettre sa gâchette en position de marche et d'arrêt.** Un outil électrique dont l'interrupteur est défectueux représente un danger et doit être réparé.
19. **Débranchez la fiche de la source d'alimentation et/ou retirez le bloc-piles de l'outil électrique avant d'effectuer tout réglage, de changer un accessoire ou de ranger l'outil électrique.** De telles mesures préventives réduisent les risques de démarrage accidentel de l'outil électrique.
20. **Après l'utilisation d'un outil électrique, rangez-le hors de portée des enfants et ne laissez aucune personne l'utiliser si elle n'est pas familiarisée avec l'outil électrique ou les présentes instructions d'utilisation.** Les outils électriques représentent un danger entre les mains de personnes qui n'en connaissent pas le mode d'utilisation.

21. **Veillez à l'entretien des outils électriques. Assurez-vous que les pièces mobiles ne sont pas désalignées ou coincées, qu'aucune pièce n'est cassée et que l'outil électrique n'a subi aucun dommage affectant son bon fonctionnement. Le cas échéant, faites réparer l'outil électrique avant de l'utiliser.** De nombreux accidents sont causés par des outils électriques mal entretenus.
22. **Maintenez les outils tranchants bien aiguisés et propres.** Un outil tranchant dont l'entretien est effectué correctement et dont les bords sont bien aiguisés risquera moins de se coincer et sera plus facile à maîtriser.
23. **Utilisez l'outil électrique, ses accessoires, ses embouts, etc., en respectant les présentes instructions, en tenant compte des conditions de travail et du type de travail à effectuer.** L'utilisation d'un outil électrique à des fins autres que celles prévues peut entraîner une situation dangereuse.

Utilisation et entretien des outils alimentés par batterie

24. **Pour recharger, utilisez uniquement le chargeur spécifié par le fabricant.** L'utilisation d'un chargeur conçu pour un type donné de bloc-piles comporte un risque d'incendie lorsqu'il est utilisé avec un autre type de bloc-piles.
25. **N'utilisez un outil électrique qu'avec le bloc-piles conçu spécifiquement pour cet outil.** Il y a un risque de blessure ou d'incendie si un autre bloc-piles est utilisé.
26. **Lorsque vous n'utilisez pas le bloc-piles, rangez-le à l'écart des objets métalliques tels que trombones, pièces de monnaie, clés, clous, vis ou autres petits objets métalliques qui risquent d'établir une connexion entre les bornes.** La mise en court-circuit des bornes de batterie peut causer des brûlures ou un incendie.
27. **Dans des conditions d'utilisation inadéquates de la batterie, il peut y avoir fuite d'électrolyte; évitez tout contact avec ce liquide. En cas de contact accidentel, rincez avec beaucoup d'eau. Si le liquide pénètre dans vos yeux, il faut aussi consulter un médecin.** L'électrolyte qui s'échappe de la batterie peut causer des irritations ou des brûlures.

Réparation

28. **Faites réparer votre outil électrique par un réparateur qualifié qui utilise des pièces de rechange identiques aux pièces d'origine.** Le maintien de la sûreté de l'outil électrique sera ainsi assuré.
29. **Suivez les instructions de lubrification et de changement des accessoires.**
30. **Maintenez les poignées de l'outil sèches, propres et exemptes d'huile ou de graisse.**

CONSIGNES DE SÉCURITÉ POUR LE TOURNEVIS À CHOCS SANS FIL




1. Tenez l'outil par ses surfaces de prise isolées pendant toute opération où l'accessoire de fixation pourrait venir en contact avec un câblage dissimulé. En cas de contact avec un conducteur sous tension, les pièces métalliques à découvert de l'outil pourraient devenir sous tension et risqueraient de transmettre une décharge électrique à l'utilisateur.
2. Adoptez toujours une position de travail vous assurant d'un bon équilibre. Assurez-vous qu'il n'y a personne plus bas lorsque vous utilisez l'outil en position élevée.
3. Tenez l'outil fermement.
4. Portez une protection d'oreilles.

CONSERVEZ CE MODE D'EMPLOI.

⚠ MISE EN GARDE : NE VOUS LAISSEZ PAS tromper (au fil d'une utilisation répétée) par un sentiment d'aisance ou de familiarité avec le produit en négligeant les consignes de sécurité qui accompagnent le produit. UNE UTILISATION INCORRECTE ou le non-respect des règles de sécurité énoncées dans le présent manuel d'instructions peut provoquer des blessures graves.

Symboles

Les symboles utilisés pour l'outil sont indiqués ci-dessous.

	volts
	courant continu
n_0	vitesse à vide
... /min r /min	tours ou alternances par minute
	nombre de frappes

CONSIGNES DE SÉCURITÉ IMPORTANTES

POUR LA BATTERIE

1. Avant d'utiliser la batterie, lisez toutes les instructions et précautions relatives (1) au chargeur de batterie, (2) à la batterie, et (3) à l'outil utilisant la batterie.
2. Ne démontez pas la batterie.
3. Cessez immédiatement l'utilisation si le temps de fonctionnement devient excessivement court. Il y a risque de surchauffe, de brûlures, voire d'explosion.

4. Si l'électrolyte pénètre dans vos yeux, rincez-les à l'eau claire et consultez immédiatement un médecin. Il y a risque de perte de la vue.
5. Ne court-circuitez pas la batterie :
 - (1) Ne touchez les bornes avec aucun matériau conducteur.
 - (2) Évitez de ranger la batterie dans un conteneur avec d'autres objets métalliques, par exemple des clous, des pièces de monnaie, etc.
 - (3) Évitez d'exposer la batterie à l'eau ou à la pluie.Un court-circuit de la batterie pourrait provoquer un fort courant, une surchauffe, parfois des brûlures et même une panne.
6. Ne rangez pas l'outil ou la batterie dans des endroits où la température risque d'atteindre ou de dépasser 50°C (122°F).
7. Ne jetez pas la batterie au feu même si elle est sérieusement endommagée ou complètement épuisée. La batterie peut exploser au contact du feu.
8. Prenez garde d'échapper ou de heurter la batterie.
9. N'utilisez pas une batterie si elle est endommagée.

CONSERVEZ CE MODE D'EMPLOI.

Conseils pour obtenir la durée de service maximale de la batterie

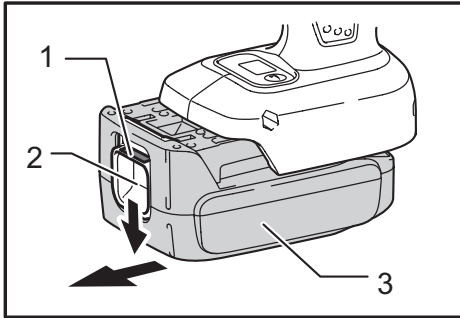
1. Rechargez la batterie avant qu'elle ne soit complètement déchargée. Arrêtez toujours l'outil et rechargez la batterie quand vous remarquez que la puissance de l'outil diminue.
2. Ne rechargez jamais une batterie complètement chargée. La surcharge réduit la durée de service de la batterie.
3. Rechargez la batterie à une température ambiante comprise entre 10°C et 40°C (50°F - 104°F). Si la batterie est chaude, laissez-la refroidir avant de la recharger.
4. Rechargez la batterie tous les six mois si l'appareil n'est pas utilisé pendant de longues périodes.

DESCRIPTION DU FONCTIONNEMENT

⚠ ATTENTION :

- Assurez-vous toujours que l'outil est hors tension et que sa batterie est retirée avant de l'ajuster ou de vérifier son fonctionnement.

Installation ou retrait de la batterie



► 1. Indicateur rouge 2. Bouton 3. Batterie

⚠ ATTENTION :

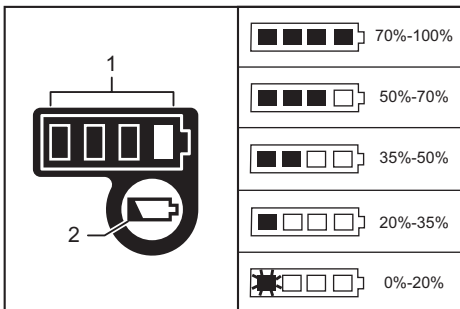
- Mettez toujours l'appareil hors tension avant d'installer ou de retirer la batterie.
- **Tenez fermement l'outil et la batterie lors de l'installation ou du retrait de cette dernière.** Sinon, l'outil et la batterie pourraient vous glisser des mains, ce qui risque d'endommager l'outil et la batterie, ou encore de provoquer des blessures.

Pour retirer la batterie, faites-la glisser de l'outil tout en faisant glisser le bouton se trouvant à l'avant. Pour installer la batterie, alignez sa languette sur la rainure pratiquée dans le boîtier, et glissez la batterie en place. Insérez-la à fond jusqu'à ce que vous entendiez un clic. Si vous pouvez voir l'indicateur rouge situé sur le dessus du bouton, la batterie n'est pas complètement verrouillée.

⚠ ATTENTION :

- Installez toujours la batterie à fond jusqu'à ce que vous ne puissiez plus voir l'indicateur rouge. Dans le cas contraire, elle pourrait tomber de l'outil et entraîner des blessures.
- Ne forcez pas sur la batterie pour l'installer. Si la batterie ne glisse pas facilement, c'est qu'elle n'est pas insérée correctement.

Vérification du niveau de charge de la batterie (BL1460A)



► 1. Témoins indicateurs 2. Bouton de vérification

NOTE : Suivant les conditions d'utilisation et la température ambiante, il se peut que l'indication soit légèrement différente de la charge réelle.

Pendant la charge

Lorsque la charge commence, le premier témoin indicateur (à l'extrême gauche) commence à clignoter. Puis, à mesure que la batterie se charge, les autres témoins s'allument un après l'autre pour indiquer le niveau de charge de la batterie.

NOTE : Si la lampe témoin ne s'allume pas ou ne clignote pas pendant la charge, il se peut que la batterie soit défectueuse. Le cas échéant, informez-vous auprès de votre centre de service après-vente local.

Pendant l'utilisation

Lorsque vous allumez l'outil, les témoins s'allument pour indiquer la charge restante de la batterie. Lorsque vous éteignez l'outil, la lumière s'éteint au bout d'environ 5 secondes.

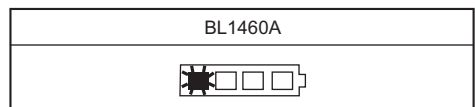
Lorsque vous appuyez sur le bouton de vérification alors que l'outil est éteint, les lampes témoin s'allument pendant environ 5 secondes pour indiquer la charge de la batterie. Si le témoin orange clignote, l'outil s'arrête en raison de la faible charge restante de la batterie (mécanisme d'arrêt automatique). Chargez la batterie ou utilisez une batterie chargée à ce moment.

Si l'outil est utilisé avec une batterie restée longtemps inutilisée, il se peut que les témoins ne s'allument pas lorsque vous allumerez l'outil. L'outil s'arrête en raison de la faible charge restante de la batterie à ce moment. Chargez la batterie adéquatement.

Dispositif de protection de la batterie (BL1460A)

L'outil est équipé d'un système de protection de la batterie. Ce système coupe automatiquement l'alimentation du moteur pour augmenter la durée de vie de la batterie. L'outil s'arrête automatiquement pendant l'utilisation lorsque l'outil et/ou la batterie sont dans les situations suivantes :

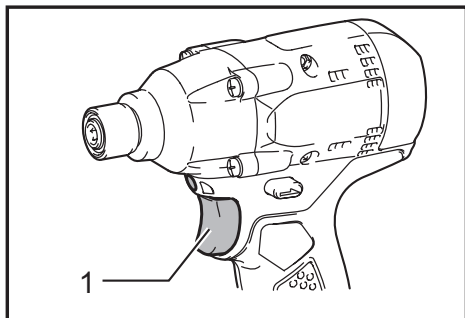
- **En surcharge :**
L'outil est utilisé d'une manière entraînant une consommation anormale de courant. Dans cette situation, relâchez la gâchette et arrêtez l'activité qui entraîne une surcharge de l'outil. Puis appuyez de nouveau sur la gâchette pour redémarrer.
Si l'outil ne démarre pas, la batterie est en surchauffe. Dans cette situation, laissez refroidir la batterie avant d'appuyer de nouveau sur la gâchette.
- **Tension de la batterie faible :**
Lorsque la charge de la batterie est insuffisante, l'outil s'arrête automatiquement et le voyant de batterie indique l'état suivant. Dans ce cas, retirez la batterie de l'outil et chargez-la.



Interrupteur

⚠ ATTENTION :

- Avant d'insérer la batterie dans l'outil, vérifiez toujours que la gâchette fonctionne bien et revient en position d'arrêt lorsque relâchée.



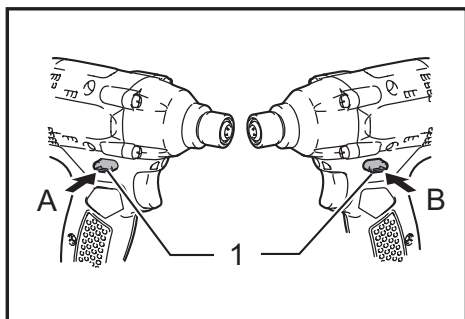
► 1. Gâchette

Pour mettre l'outil en marche, appuyez simplement sur la gâchette. La vitesse de l'outil augmente à mesure que l'on accroît la pression exercée sur la gâchette. Pour l'arrêter, relâchez la gâchette.

Inverseur

⚠ ATTENTION :

- Vérifiez toujours le sens de rotation avant de mettre l'outil en marche.
- N'actionnez l'inverseur qu'une fois que l'outil est complètement arrêté. Si vous changez le sens de rotation avant l'arrêt de l'outil, vous risquez de l'endommager.
- Lorsque vous n'utilisez pas l'outil, placez toujours le levier inverseur en position neutre.



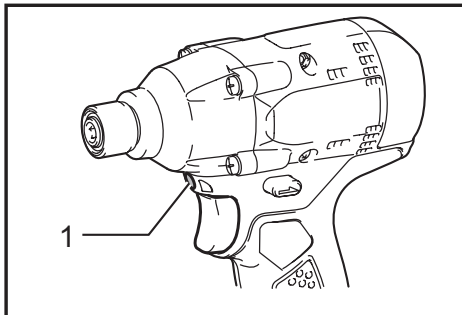
► 1. Levier inverseur

L'outil possède un inverseur qui permet de changer le sens de rotation. Enfoncez le levier inverseur du côté A pour une rotation dans le sens des aiguilles d'une montre, ou du côté B pour une rotation dans le sens inverse des aiguilles d'une montre. La pression sur la gâchette n'est pas possible lorsque le levier inverseur se trouve en position neutre.

Allumer la lampe

⚠ ATTENTION :

- Evitez de regarder directement le faisceau lumineux ou sa source.



► 1. Lampe

Appuyez sur la gâchette pour allumer la lampe. La lampe reste allumée tant que vous appuyez sur la gâchette. La lumière s'éteint automatiquement environ 10 secondes après que vous ayez relâché la gâchette.

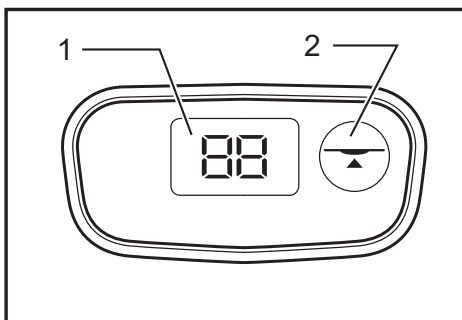
NOTE :

- Utilisez un chiffon sec pour essuyer la saleté qui recouvre la lentille de la lampe. Prenez garde de rayer la lentille de la lampe, pour éviter une diminution de l'éclairage.

Réglage du nombre de chocs avant l'arrêt automatique

Cet outil est muni d'un mécanisme pratique d'arrêt automatique qui permet de pré régler le nombre désiré de chocs selon l'utilisation. L'outil s'arrête alors automatiquement lorsqu'il atteint le nombre de chocs pré réglé.

Réglage du nombre de chocs



► 1. Affichage 2. Bouton d'indication

1. Appuyez sur la gâchette, puis relâchez-la.
2. Appuyez sur la gâchette environ 3 secondes tout en appuyant sur le bouton d'indication, puis relâchez la gâchette et le bouton d'indication.
3. Le témoin du côté gauche de l'affichage clignote de sorte que le premier chiffre puisse être modifié en appuyant sur le bouton.

4. Appuyez sur le bouton et sélectionnez le nombre souhaité. Le nombre affiché change rapidement en maintenant le bouton enfoncé. Pour régler le premier chiffre, appuyez sur la gâchette, puis relâchez-la.
5. Le témoin du côté droit de l'affichage se met à clignoter de sorte que le deuxième chiffre puisse être modifié.
6. Appuyez sur le bouton et sélectionnez le nombre souhaité. Le nombre affiché change rapidement en maintenant le bouton enfoncé. Pour régler le deuxième chiffre, appuyez sur la gâchette, puis relâchez-la.
7. Pour le dernier réglage, appuyez sur la gâchette tout en appuyant sur le bouton d'indication. Le nombre de chocs est réglé en même temps. Pour reconfigurer le nombre de chocs, appuyez sur la gâchette sans appuyer sur le bouton d'indication pour revenir au 3 ci-dessus.

- Le témoin rouge s'allume si la gâchette est relâchée avant que le nombre de chocs pré réglé soit atteint. Il indique que l'opération n'est pas terminée.
- Lorsque le mécanisme d'arrêt automatique fonctionne, le témoin indicateur s'allume en rouge pendant que vous appuyez sur la gâchette.

Confirmation du nombre réglé actuel

Pour vérifier le nombre réglé, appuyez une fois sur la gâchette, relâchez-la, puis appuyez sur le bouton d'indication.

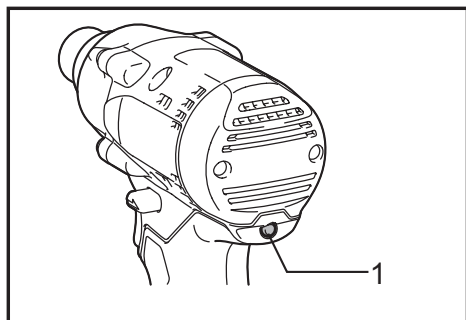
Relation entre le nombre de chocs pré réglé et l'action

Nombre de chocs pré réglés	Rotation dans le sens des aiguilles d'une montre	Une rotation dans le sens inverse des aiguilles d'une montre
0	Le réglage du mécanisme d'arrêt automatique ne fonctionne pas.	Le réglage du mécanisme d'arrêt automatique ne fonctionne pas.
01 - 99	Après avoir frappé [nombre de chocs (numéro pré réglé x 2) x 0,02] secondes. Le témoin vert s'allume. S'éteindre avant de frapper [nombre de chocs (numéro pré réglé x 2) x 0,02] secondes. Le témoin rouge s'allume. Puis, le témoin s'éteint.	Le réglage du mécanisme d'arrêt automatique ne fonctionne pas. Le témoin indicateur s'éteint.

NOTE :

- Utilisez le nombre pré réglé comme indication. Pour conserver le couple de serrage, le nombre de chocs passe automatiquement au niveau de charge restant de la batterie.

Témoin indicateur



► 1. Lampe indicatrice

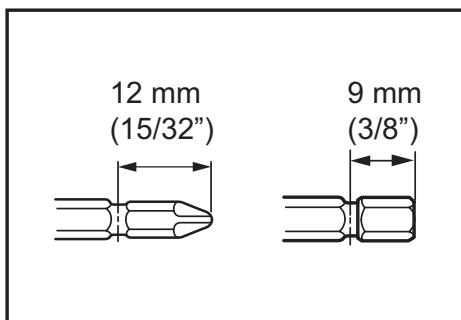
- Une fois le nombre de chocs pré réglé atteint, le témoin indicateur s'allume en vert.

ASSEMBLAGE

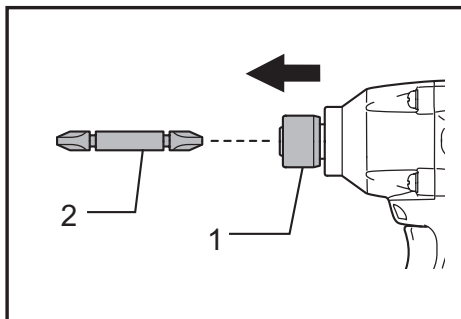
⚠ ATTENTION :

- Assurez-vous toujours que l'outil est hors tension et que sa batterie est retirée avant d'effectuer tout travail dessus.

Installation ou retrait de l'embout ou l'embout à douille



Utilisez exclusivement l'embout ou l'embout à douille du modèle indiqué sur la figure.



► 1. Manchon 2. Embout

Pour installer l'embout, tirer le manchon dans le sens de la flèche et introduire l'embout dans le manchon jusqu'au fond. Lâchez alors le manchon pour immobiliser l'embout.

Pour enlever l'embout, tirez le manchon dans la direction de la flèche et tirez fermement l'embout.

NOTE :

- Si l'embout n'est pas inséré assez profondément dans le manchon, celui-ci ne revient pas à sa position d'origine et l'embout ne se trouve pas bien assuré. En ce cas, insérez à nouveau l'embout comme il est dit ci-dessus.

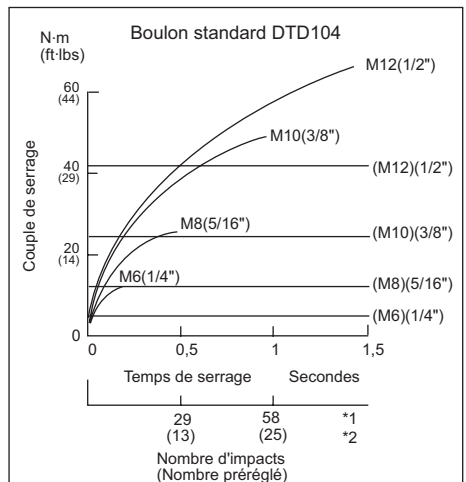
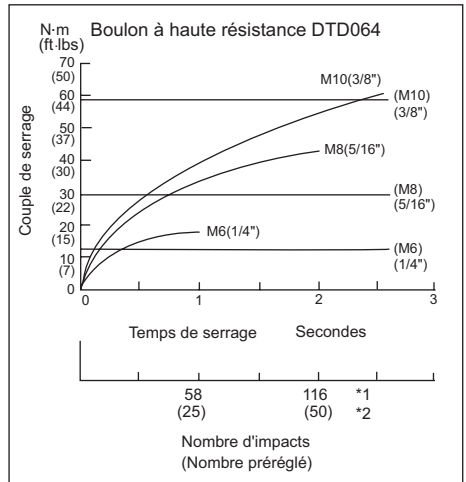
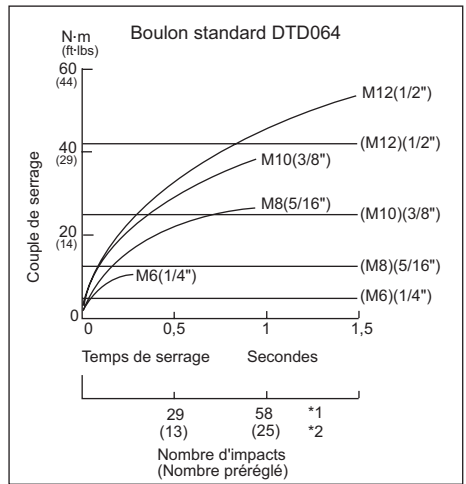
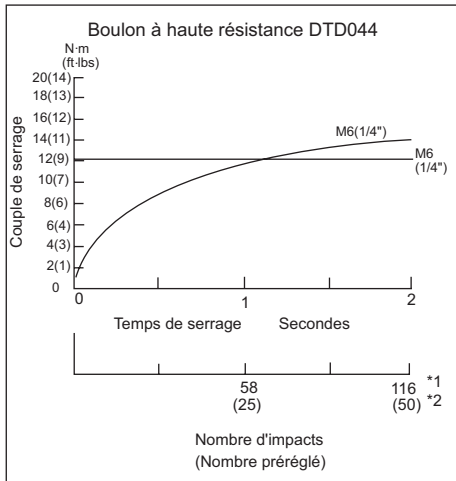
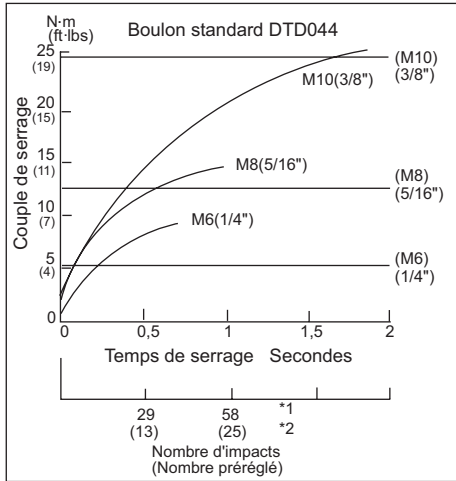
UTILISATION

[*1] Le pré réglage du nombre de chocs sur une valeur supérieure à 200 (4 secondes) n'est pas possible.

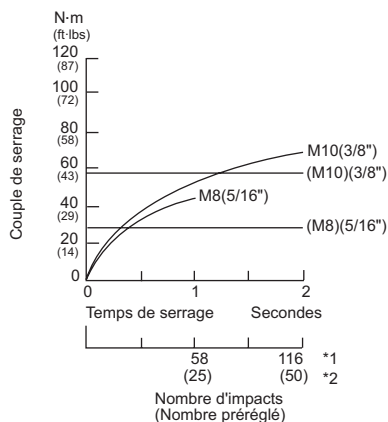
[*2] Le calcul du temps de serrage commence lorsque la gâchette est complètement enfoncée.

Le couple de serrage adéquat peut varier suivant la sorte ou taille de vis/boulon, suivant le matériau dont se compose la pièce faisant l'objet du serrage, etc. La relation entre le couple de serrage, le temps de serrage et le nombre de chocs (préréglage du nombre) est indiquée dans les figures.

Tenez votre outil fermement et placez la panne de l'embout dans la tête de la vis. Appliquez à l'outil une pression vers l'avant suffisante pour que la panne ne glisse pas hors de la vis et mettez le contact.



Boulon à haute résistance DTD104



NOTE :

- Utilisez l'embout qui convient à la tête de la vis/du boulon utilisé(e).
- Tenez votre outil bien droit sur la vis.
- Si vous serrez la vis plus longtemps que le temps indiqué dans les figures, la vis ou la pointe de l'embout risque d'être soumise à une force trop grande et de foirer ou être endommagée, etc. Avant de commencer votre travail, effectuez toujours un essai pour connaître le temps de serrage qui convient à la vis.
- Si l'outil est utilisé de manière continue jusqu'à ce que la batterie soit déchargée, laissez-le reposer 15 minutes avant de poursuivre l'opération avec une batterie fraîche.

Le couple de serrage dépend d'un certain nombre de facteurs, comme suit. Une fois le serrage terminé, vérifiez toujours le couple avec une clé dynamométrique.

1. Lorsque la batterie est presque complètement déchargée, la tension tombe et le couple de serrage diminue.
2. Embout ou embout à douille
L'utilisation d'un embout ou un embout à douille de mauvaise dimension entraînera une réduction du couple de serrage.
3. Boulon
 - Même si le coefficient du couple et la catégorie du boulon sont les mêmes, le couple de serrage variera en fonction du diamètre de boulon.
 - Même si les diamètres des boulons sont les mêmes, le couple de serrage variera en fonction du coefficient de couple, de la catégorie du boulon et de la longueur du boulon.
4. L'utilisation du joint universel ou de l'adaptateur de douille réduit légèrement la force de serrage de l'outil. Compensez cette perte en effectuant un serrage plus long.
5. Le type des matériaux à serrer, la manière dont vous tenez l'outil et la vitesse de l'outil auront un effet sur le couple.
6. Le fonctionnement de l'outil à vitesse réduite entraîne une diminution du couple de serrage.

ENTRETIEN

ATTENTION :

- Assurez-vous toujours que l'outil est hors tension et que la batterie est retirée avant d'y effectuer tout travail d'inspection ou d'entretien.
- N'utilisez jamais d'essence, de benzine, de solvant, d'alcool ou d'autres produits similaires. Une décoloration, une déformation, ou la formation de fissures peuvent en découler.

Pour maintenir la SÉCURITÉ et la FIABILITÉ du produit, les réparations, l'inspection et le remplacement des charbons, et tout autre travail d'entretien ou de réglage doivent être effectués dans un centre de service après-vente agréé ou d'usine Makita, exclusivement avec des pièces de rechange Makita.

ACCESSOIRES EN OPTION

ATTENTION :

- Ces accessoires ou pièces complémentaires sont recommandés pour l'utilisation avec l'outil Makita spécifié dans ce mode d'emploi. L'utilisation de tout autre accessoire ou pièce complémentaire peut comporter un risque de blessure. N'utilisez les accessoires ou pièces qu'aux fins auxquelles ils ont été conçus.

Si vous désirez obtenir plus de détails concernant ces accessoires, veuillez contacter le centre de service après-vente Makita le plus près.

- Forets de vis
- Protecteur (blanc, bleu, rouge)
- Système de protection de la batterie pour BL1460A
- Système de protection de la batterie pour BL1415NA
- Batterie BL1460A
- Batterie BL1415NA
- Chargeur Makita d'origine

NOTE :

- Certains éléments de la liste peuvent être inclus avec l'outil comme accessoires standard. Ils peuvent varier suivant les pays.

GARANTIE LIMITÉE MAKITA

Pour les conditions de garantie en vigueur qui s'appliquent à ce produit, veuillez vous reporter à la feuille de garantie en annexe. Si la feuille de garantie en annexe n'est pas disponible, reportez-vous aux détails de la garantie présentés sur le site Web de votre pays, ci-dessous.

États-Unis d'Amérique: www.makitatools.com

Canada: www.makita.ca

Autres pays: www.makita.com

ESPECIFICACIONES

Modelo		DTD044	DTD064	DTD104
Capacidades	Tornillo de máquina	4 mm - 8 mm (5/32" - 5/16")	4 mm - 8 mm (5/32" - 5/16")	4 mm - 8 mm (5/32" - 5/16")
	Tornillo estándar	5 mm - 10 mm (3/16" - 3/8")	5 mm - 12 mm (3/16" - 1/2")	5 mm - 12 mm (3/16" - 1/2")
	Tornillo de alta tracción	5 mm - 6 mm (3/16" - 1/4")	5 mm - 10 mm (3/16" - 3/8")	5 mm - 10 mm (3/16" - 3/8")
Velocidad sin carga (RPM)		0 - 2 300 r/min	0 - 2 500 r/min	0 - 2 700 r/min
Impactos por minuto		0 - 3 500	0 - 3 500	0 - 3 500
Longitud total		144 mm (5-5/8")	144 mm (5-5/8")	144 mm (5-5/8")
Cartucho(s) de batería estándar ⚠ Advertencia: Use sólo los cartucho(s) de batería indicado(s).		BL1460A / BL1415NA	BL1460A / BL1415NA	BL1460A / BL1415NA
Peso neto		1,3 kg (2,8 lbs) / 1,1 kg (2,4 lbs)	1,3 kg (2,9 lbs) / 1,1 kg (2,4 lbs)	1,3 kg (2,9 lbs) / 1,1 kg (2,4 lbs)
Tensión nominal		14,4 V c.c.	14,4 V c.c.	14,4 V c.c.

- Debido a nuestro programa continuo de investigación y desarrollo, las especificaciones aquí dadas están sujetas a cambios sin previo aviso.
- Las especificaciones y el cartucho de la batería pueden variar de país a país.
- Peso de acuerdo al procedimiento de EPTA-01/2003 incluyendo el cartucho de la batería

Advertencias de seguridad generales para herramientas eléctricas

⚠ ADVERTENCIA: lea todas las advertencias de seguridad e instrucciones. Si no sigue todas las advertencias e instrucciones indicadas a continuación, podrá ocasionar una descarga eléctrica, un incendio y/o lesiones graves.

Guarde todas las advertencias e instrucciones para su futura referencia.

El término "herramienta eléctrica" se refiere, en todas las advertencias que aparecen a continuación, a su herramienta eléctrica de funcionamiento con conexión a la red eléctrica (con cableado eléctrico) o herramienta eléctrica de funcionamiento a batería (inalámbrica).

Seguridad en el área de trabajo

1. **Mantenga el área de trabajo limpia y bien iluminada.** Las áreas oscuras o desordenadas son propensas a accidentes.
2. **No utilice las herramientas eléctricas en atmósferas explosivas, tal como en la presencia de líquidos, gases o polvo inflamables.** Las herramientas eléctricas crean chispas que pueden prender fuego al polvo o los humos.
3. **Mantenga a los niños y curiosos alejados mientras utiliza una herramienta eléctrica.** Las distracciones le pueden hacer perder el control.

Seguridad eléctrica

4. **Las clavijas de conexión de las herramientas eléctricas deberán encajar perfectamente en la toma de corriente. No modifique nunca la clavija de conexión de ninguna forma. No utilice ninguna clavija adaptadora con herramientas**

eléctricas que tengan conexión a tierra (puesta a tierra). La utilización de clavijas no modificadas y que encajen perfectamente en la toma de corriente reducirá el riesgo de que se produzca una descarga eléctrica.

5. **Evite tocar con el cuerpo superficies conectadas a tierra o puestas a tierra tales como tubos, radiadores, cocinas y refrigeradores.** Si su cuerpo es puesto a tierra o conectado a tierra existirá un mayor riesgo de que sufra una descarga eléctrica.
6. **No exponga las herramientas eléctricas a la lluvia ni a condiciones húmedas.** La entrada de agua en una herramienta eléctrica aumentará el riesgo de que se produzca una descarga eléctrica.
7. **No jale el cable. Nunca utilice el cable para transportar, jalar o desconectar la herramienta eléctrica. Mantenga el cable alejado del calor, aceite, objetos cortantes o piezas móviles.** Los cables dañados o atrapados aumentan el riesgo de sufrir una descarga eléctrica.
8. **Cuando utilice una herramienta eléctrica en exteriores, utilice un cable de extensión apropiado para uso en exteriores.** La utilización de un cable apropiado para uso en exteriores reducirá el riesgo de que se produzca una descarga eléctrica.
9. **Si no es posible evitar usar una herramienta eléctrica en condiciones húmedas, utilice un alimentador protegido con interruptor de circuito de falla en tierra (ICFT).** El uso de un ICFT reduce el riesgo de descarga eléctrica.

Seguridad personal

10. **Manténgase alerta, preste atención a lo que está haciendo y utilice su sentido común cuando opere una herramienta eléctrica. No utilice la herramienta eléctrica cuando esté cansado o bajo la influencia de drogas, alcohol o medicamentos.** Un momento de distracción mientras opera la máquina puede dar como resultado heridas personales graves.
11. **Use equipo de protección personal. Póngase siempre protección para los ojos.** El equipo protector tal como máscara contra el polvo, zapatos de seguridad antiderrapantes, casco rígido y protección para oídos utilizado en las condiciones apropiadas reducirá las heridas personales.
12. **Impida el encendido accidental. Asegúrese de que el interruptor esté en la posición de apagado antes de conectar a la alimentación eléctrica y/o de colocar el cartucho de la batería, así como al levantar o cargar la herramienta.** Cargar las herramientas eléctricas con su dedo en el interruptor o enchufarlas con el interruptor encendido hace que los accidentes sean propensos.
13. **Retire cualquier llave de ajuste o llave de apriete antes de encender la herramienta.** Una llave de ajuste o llave de apriete que haya sido dejada puesta en una parte giratoria de la herramienta eléctrica podrá resultar en heridas personales.
14. **No utilice la herramienta donde no alcance. Mantenga los pies sobre suelo firme y el equilibrio en todo momento.** Esto permite un mejor control de la herramienta eléctrica en situaciones inesperadas.
15. **Use vestimenta apropiada. No use ropas sueltas ni joyas. Mantenga el cabello, la ropa y los guantes alejados de las piezas móviles.** Las prendas de vestir holgadas, las joyas y el cabello suelto podrían engancharse en estas piezas móviles.
16. **Si dispone de dispositivos para la conexión de equipos de extracción y recolección de polvo, asegúrese de conectarlos y utilizarlos debidamente.** La utilización de estos dispositivos reduce los riesgos relacionados con el polvo.

Mantenimiento y uso de la herramienta eléctrica

17. **No fuerce la herramienta eléctrica. Utilice la herramienta eléctrica correcta para su aplicación.** La herramienta eléctrica adecuada hará un trabajo mejor a la velocidad para la que ha sido fabricada.
18. **No utilice la herramienta eléctrica si el interruptor no la enciende y apaga.** Cualquier herramienta eléctrica que no pueda ser controlada con el interruptor es peligrosa y debe ser reemplazada.
19. **Desconecte la clavija de la fuente de energía y/o la batería de la herramienta eléctrica antes de realizar ajustes, cambiar accesorios o guardar las herramientas eléctricas.** Dichas medidas de seguridad preventivas reducen el riesgo de que la herramienta se inicie accidentalmente.

20. **Guarde la herramienta eléctrica que no use fuera del alcance de los niños y no permita que las personas que no están familiarizadas con ella o con las instrucciones la operen.** Las herramientas eléctricas son peligrosas en manos de personas que no saben operarlas.
21. **Realice el mantenimiento a las herramientas eléctricas. Compruebe que no haya partes móviles desalineadas o estancadas, piezas rotas y cualquier otra condición que pueda afectar al funcionamiento de la herramienta eléctrica. Si la herramienta eléctrica está dañada, haga que se la reparen antes de utilizarla.** Muchos accidentes son ocasionados por herramientas eléctricas con un mal mantenimiento.
22. **Mantenga las herramientas de corte limpias y filosas.** Si recibe un mantenimiento adecuado y tiene los bordes afilados, es probable que la herramienta se atasque menos y sea más fácil controlarla.
23. **Utilice la herramienta eléctrica, así como accesorios, piezas, brocas, etc. de acuerdo con estas instrucciones y de la manera establecida para cada tipo de unidad en particular; tenga en cuenta las condiciones laborales y el trabajo a realizar.** Si utiliza la herramienta eléctrica para realizar operaciones distintas de las indicadas, podrá presentarse una situación peligrosa.

Uso y cuidado de la herramienta a batería

24. **Realice la recarga sólo con el cargador especificado por el fabricante.** Un cargador que es adecuado para un solo tipo de batería puede generar riesgo de incendio al ser utilizado con otra batería.
25. **Utilice las herramientas eléctricas solamente con las baterías designadas específicamente para ellas.** La utilización de cualquier otra batería puede crear un riesgo de heridas o incendio.
26. **Cuando no se esté usando el cartucho de la batería, manténgalo alejado de otros objetos metálicos, como sujetapapeles (clips), monedas, llaves, clavos, tornillos u otros objetos pequeños de metal los cuales pueden actuar creando una conexión entre las terminales de la batería.** Cerrar el circuito de las terminales de la batería puede causar quemaduras o incendios.
27. **En condiciones abusivas, podrá escapar líquido de la batería; evite tocarlo. Si lo toca accidentalmente, enjuague con agua. Si hay contacto del líquido con los ojos, acuda por ayuda médica.** Puede que el líquido expulsado de la batería cause irritación o quemaduras.

Servicio de mantenimiento

28. **Haga que una persona calificada repare la herramienta utilizando sólo piezas de repuesto idénticas.** Esto asegura que se mantenga la seguridad de la herramienta eléctrica.
29. **Siga las instrucciones para la lubricación y cambio de accesorios.**
30. **Mantenga las agarraderas secas, limpias y sin aceite o grasa.**

ADVERTENCIAS DE SEGURIDAD PARA EL USO DEL

ATORNILLADOR DE IMPACTO INALÁMBRICO




1. Sujete la herramienta eléctrica por las superficies de agarre aisladas al realizar una operación en la que el porta útil pueda entrar en contacto con cables ocultos. Si el porta útil entra en contacto con un cable con corriente, las piezas metálicas expuestas de la herramienta eléctrica se cargarán también de corriente y el operario puede recibir una descarga.
2. Asegúrese siempre de que pisa sobre suelo firme. Asegúrese de que no haya nadie debajo cuando utilice la herramienta en lugares altos.
3. Sostenga la herramienta con firmeza.
4. Póngase protectores de oídos.

GUARDE ESTAS INSTRUCCIONES.

⚠ ADVERTENCIA: NO DEJE que la comodidad o familiaridad con el producto (a base de utilizarlo repetidamente) sustituya la estricta observancia de las normas de seguridad para dicho producto. **EL MAL USO** o el no seguir las normas de seguridad establecidas en este manual de instrucciones puede ocasionar graves lesiones personales.

Símbolos

A continuación se muestran los símbolos utilizados para la herramienta.

	volts o voltios
	corriente directa o continua
n_0	velocidad en vacío o sin carga
\dots / min r / min	revoluciones o alternaciones por minuto, frecuencia de rotación
	número de percusiones

INSTRUCCIONES IMPORTANTES DE SEGURIDAD

PARA CARTUCHO DE BATERÍA

1. Antes de utilizar el cartucho de batería, lea todas las instrucciones e indicaciones de precaución sobre (1) el cargador de baterías, (2) la batería, y (3) el producto con el que se utiliza la batería.
2. No desarme el cartucho de batería.
3. Si el tiempo de operación se ha acortado en exceso, deje de operar de inmediato. Podría correrse el riesgo de sobrecalentamiento, posibles quemaduras e incluso explosión.
4. En caso de que ingresen electrolitos en sus ojos, enjuáguelos bien con agua limpia y consulte de inmediato a un médico. Podría perder la visión.
5. No cortocircuite el cartucho de batería:
 - (1) No toque las terminales con ningún material conductor.
 - (2) Evite guardar el cartucho de batería en un cajón junto con otros objetos metálicos, tales como clavos, monedas, etc.
 - (3) No exponga la batería de cartucho a la lluvia o nieve.Un corto circuito en la batería puede causar un flujo grande de corriente, sobrecalentamiento, posibles quemaduras y aún descomposturas.
6. No guarde la herramienta ni el cartucho de batería en lugares donde la temperatura pueda alcanzar o exceder los 50°C (122°F).
7. Nunca incinere el cartucho de batería incluso en el caso de que esté dañado seriamente o ya no sirva en absoluto. El cartucho de batería puede explotar si se tira al fuego.
8. Tenga cuidado de no dejar caer ni golpear el cartucho de batería.
9. No use una batería dañada.

GUARDE ESTAS INSTRUCCIONES.

Consejos para alargar al máximo la vida útil de la batería

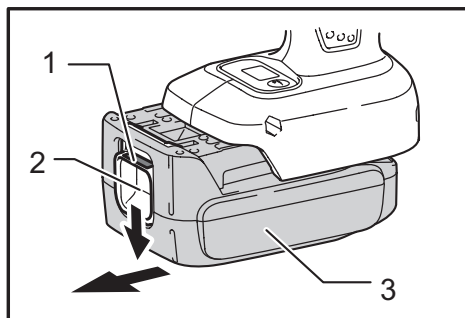
1. Cargue el cartucho de batería antes de que se descargue completamente. Pare siempre la operación y cargue el cartucho de batería cuando note menos potencia en la herramienta.
2. No cargue nunca un cartucho de batería que esté completamente cargado. La sobrecarga acortará la vida de servicio de la batería.
3. Cargue el cartucho de batería a temperatura ambiente de 10°C - 40°C (50°F - 104°F). Si un cartucho de batería está caliente, déjelo enfriar antes de cargarlo.
4. Recargue el cartucho de la batería una vez cada seis meses si no se va a usar por un periodo extenso.

DESCRIPCIÓN DEL FUNCIONAMIENTO

⚠️ PRECAUCIÓN:

- Asegúrese siempre de que la herramienta esté apagada y el cartucho de batería extraído antes de realizar cualquier ajuste o comprobación en la herramienta.

Instalación o desmontaje del cartucho de batería



- 1. Indicador rojo 2. Botón 3. Cartucho de batería

⚠️ PRECAUCIÓN:

- Apague siempre la herramienta antes de colocar o quitar el cartucho de batería.
- **Sujete la herramienta y el cartucho de la batería con firmeza al colocar o quitar el cartucho.** Si no se sujeta con firmeza la herramienta y el cartucho de la batería, puede ocasionar que se resbalen de sus manos resultando en daños a la herramienta y al cartucho, así como lesiones a la persona.

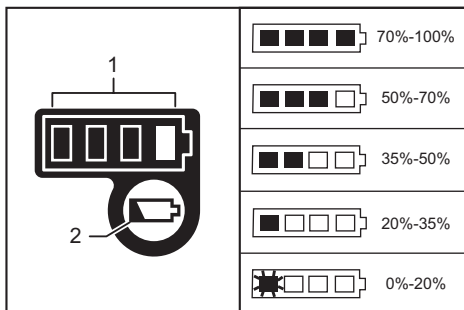
Para quitar el cartucho de batería, deslícelo de la herramienta mientras desliza el botón sobre la parte delantera del cartucho.

Para colocar el cartucho de batería, alinee la lengüeta sobre el cartucho de batería con la ranura en la carcasa y deslice en su lugar. Inserte por completo hasta que se fije en su lugar con un pequeño clic. Si puede ver el indicador rojo del lado superior del botón, esto indica que no ha quedado fijo por completo.

⚠️ PRECAUCIÓN:

- Introduzca siempre completamente el cartucho de batería hasta que el indicador rojo no pueda verse. Si no, podría accidentalmente salirse de la herramienta y caer al suelo causando una lesión a usted o alguien a su alrededor.
- No instale el cartucho de batería a la fuerza: si el cartucho no se desliza al interior fácilmente, se debe a que no está siendo insertado correctamente.

Verificación de la capacidad de carga restante de la batería. (BL1460A)



- 1. Luces indicadoras 2. Botón de verificación

NOTA: Dependiendo de las condiciones de uso y la temperatura ambiente, la indicación podrá diferir ligeramente de la capacidad real.

Durante la carga

Cuando se inicia la carga, la primera luz indicadora (la última de la izquierda) comienza a destellar. Luego, a medida que la carga avanza, las otras luces se van encendiendo de a una indicando que se va completando la capacidad de carga.

NOTA: Si la luz indicadora no se enciende ni parpadea durante la carga, la batería podría estar defectuosa. En este caso, consulte al centro de servicio de su localidad.

Durante el uso

Cuando la herramienta se encienda, las luces se iluminarán para indicar la capacidad restante de la batería. Cuando la herramienta se apague, la luz se apagará aproximadamente 5 segundos después.

Al oprimir el botón de verificación con la herramienta apagada, las luces indicadoras se encenderán durante aproximadamente 5 segundos para mostrar la capacidad de la batería.

Cuando la luz naranja parpadee, la herramienta se detendrá debido a la poca capacidad restante de la batería (mecanismo de parada automática). En este momento, cargue el cartucho de batería o utilice un cartucho de batería cargado.

Si la herramienta se usa con una batería que no haya sido utilizada durante un tiempo prolongado, podría ser que ninguna de las luces se iluminara al momento de encenderla. En este momento, la herramienta se detendrá debido a la poca capacidad restante de la batería. Cargue la batería correctamente.

Sistema de protección de la batería (BL1460A)

La herramienta está equipada con un sistema de protección de la batería. Este sistema corta en forma automática el suministro de energía al motor para prolongar la vida útil de la batería.

La herramienta se detendrá automáticamente durante el funcionamiento si la herramienta y/o la batería se someten a las siguientes condiciones:

- **Sobrecarga:**

La herramienta se está utilizando de una manera que causa que consuma una cantidad de corriente inusualmente alta.

En este caso, libere el gatillo interruptor en la herramienta y detenga la aplicación que causó que la herramienta se sobrecargara. Luego, vuelva a jalar el gatillo interruptor para reanudar el funcionamiento.

Si la herramienta no empieza a funcionar, significa que la batería se sobrecalentó. En este caso, espere que la batería se enfríe antes de volver a jalar el gatillo interruptor.

- **Bajo voltaje de la batería:**

Cuando la capacidad de la batería no sea suficiente, la herramienta se detendrá automáticamente y el indicador de batería mostrará el siguiente estado. En este caso, retire la batería de la herramienta y cárguela.

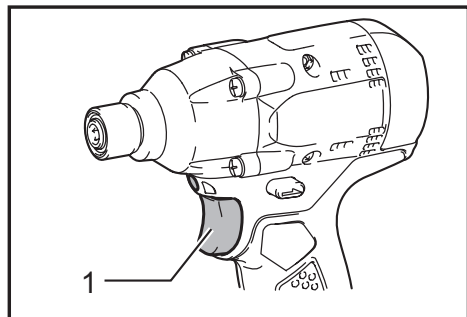
BL1460A



Accionamiento del interruptor

⚠PRECAUCIÓN:

- Antes de insertar el cartucho de batería en la herramienta, compruebe siempre y cerciórese de que el gatillo interruptor se acciona debidamente y que vuelve a la posición "OFF" (apagado) cuando lo suelta.



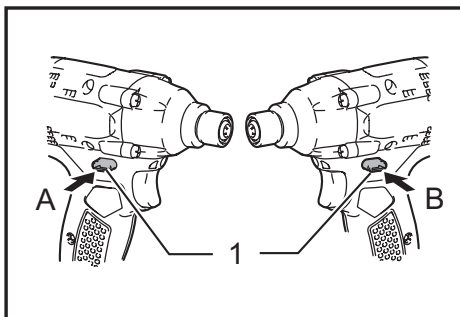
► 1. Gatillo interruptor

Para poner en marcha la herramienta, simplemente apriete el gatillo interruptor. La velocidad de la herramienta aumenta incrementando la presión en el gatillo. Suelte el gatillo interruptor para parar.

Accionamiento del conmutador de inversión de giro

⚠PRECAUCIÓN:

- Confirme siempre la dirección de giro antes de la operación.
- Utilice el conmutador de inversión solamente después de que la herramienta haya parado completamente. Si cambia la dirección de giro antes de que la herramienta haya parado podrá dañarla.
- Cuando no esté utilizando la herramienta, ponga siempre la palanca del conmutador de inversión en la posición neutral.



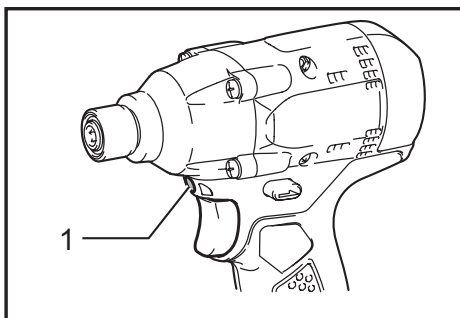
► 1. Palanca del conmutador de inversión de giro

Esta herramienta tiene un conmutador de inversión para cambiar la dirección de giro. Presione hacia dentro la palanca del conmutador de inversión del lado A para giro hacia la derecha o del lado B para giro hacia la izquierda. Cuando la palanca del conmutador de inversión esté en la posición neutral, no se podrá apretar el gatillo interruptor.

Encendido de la lámpara

⚠PRECAUCIÓN:

- No mire a la luz ni vea la fuente de luz directamente.



► 1. Lámpara

Jale el gatillo interruptor para encender la lámpara. La luz continúa iluminando mientras se continúe apretando el gatillo. La luz se apaga automáticamente en alrededor de 10 segundos tras haber liberado el gatillo interruptor.

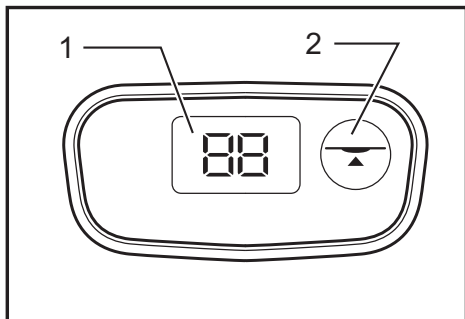
NOTA:

- Utilice un paño seco para quitar la suciedad de la lente de la lámpara. Tenga cuidado de no rayar la lente de la lámpara, porque podrá disminuir la iluminación.

Ajuste de desactivación automática para número de impactos

Esta herramienta cuenta con un conveniente mecanismo de desactivación automática que le permite preajustar el número deseado de impactos en términos de la aplicación. La herramienta luego se desactiva automáticamente una vez alcanzado el número preajustado de impactos.

Ajuste para número de impactos



► 1. Visualizador 2. Botón indicador

1. Jale el gatillo interruptor y luego suéltelo.
2. Jale el gatillo interruptor por alrededor de 3 segundos mientras presiona el botón indicador, y luego suelte el gatillo interruptor junto con el botón indicador.
3. La luz indicadora sobre el costado izquierdo del visualizador parpadea de tal forma el número del prime dígito pueda cambiarse al presionar el botón.
4. Presione el botón y seleccione el número deseado. El número mostrado cambia rápidamente al mantener presionado el botón. Para ajustar el primer dígito, jale el gatillo interruptor y luego suéltelo.
5. La luz indicadora sobre el costado derecho del visualizador comienza a parpadear de tal forma que el número para el segundo dígito pueda cambiarse.
6. Presione el botón y seleccione el número deseado. El número mostrado cambia rápidamente al mantener presionado el botón. Para ajustar el segundo dígito, jale el gatillo interruptor y luego suéltelo.
7. Para el ajuste final, jale el gatillo interruptor mientras presiona el botón indicador. El número de impactos quedará configurado al instante. Para volver a configurar el número de impactos, jale el gatillo interruptor sin presionar el botón indicador para proceder con el paso 3 como se menciona anteriormente.

Confirmación del número actual configurado

Para comprobar el número actual configurado, jale el gatillo una vez y suéltelo y luego presione el botón indicador.

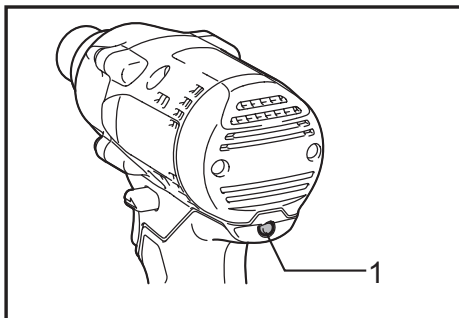
Relación entre el número de preajuste y la acción

Número de preajuste	Rotación en sentido de las agujas del reloj	Rotación en sentido contrario a las agujas del reloj
0	El ajuste de desactivación automática no funciona	El ajuste de desactivación automática no funciona
01 - 99	Tras una operación de impacto de [número de impactos (número de preajuste x 2) x 0,2] segundos. La luz indicadora verde se enciende. Apague antes de una operación de impacto de [Número de impactos (número de preajuste x 2) x 0,2] segundos. La luz indicadora roja se enciende. Luego, la luz se apagará.	El ajuste de desactivación automática no funciona. La luz indicadora se apaga.

NOTA:

- Use el número de preajuste como guía. Para mantener la torsión de fijación, el número de impactos cambiará automáticamente en función de la capacidad restante de la batería.

Luz indicadora



► 1. Luz indicadora

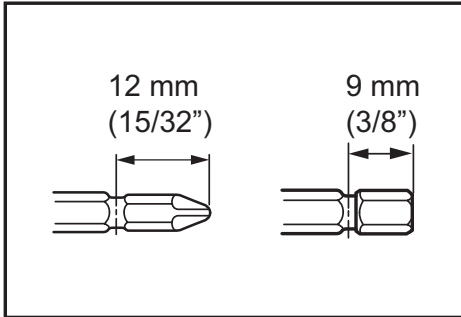
- Tras los números de impacto preajustados, la luz indicadora se enciende en verde.
- La luz de color rojo se encenderá si el gatillo interruptor se libera antes de alcanzar el número de preajuste de impactos. Esto indica que la operación está incompleta.
- Cuando el mecanismo de desactivación automática está en funcionamiento, la luz indicadora se enciende en rojo mientras se jala el gatillo interruptor.

ENSAMBLE

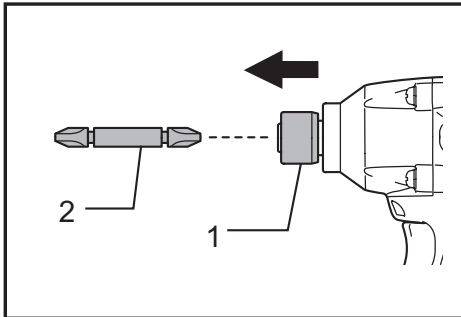
⚠️ PRECAUCIÓN:

- Asegúrese siempre de que la herramienta esté apagada y el cartucho de batería extraído antes de realizar cualquier trabajo en la misma.

Instalar o quitar las puntas para atornillar



Utilice solamente las puntas para atornillar que se muestran en la figura. No utilice ninguna otra más que la indicada. Para instalar la punta de atornillar, tire del mandril en la dirección que indica la flecha e insértela dentro del mandril hasta que haga tope. Luego suelte el mandril para asegurar la punta.



► 1. Base de mandril 2. Punta de atornillar

Para instalar la punta de atornillar, inserte la punta en el mandril hasta donde sea posible. Para quitarla, tire del mandril en la dirección que indica la flecha y luego de la punta con firmeza.

Para quitar la punta de atornillar, tire del mandril en la dirección que indica la flecha y tire de la punta con firmeza.

NOTA:

- Si la punta de atornillar no ha sido insertada en el mandril hasta el fondo, éste no volverá a su posición original y no quedará asegurada la punta. En este caso pruebe volver a insertar la punta de acuerdo con las indicaciones dadas.

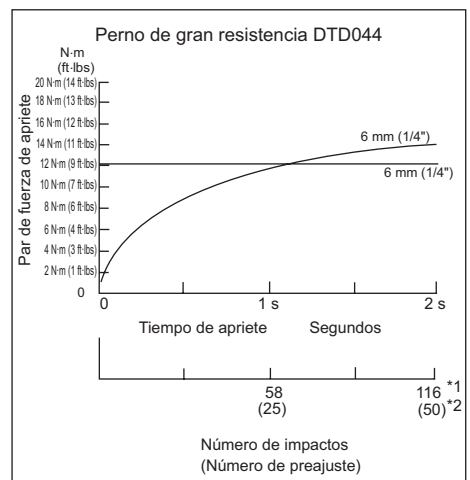
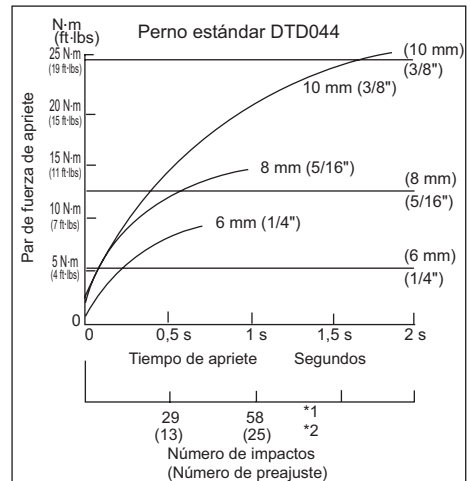
OPERACIÓN

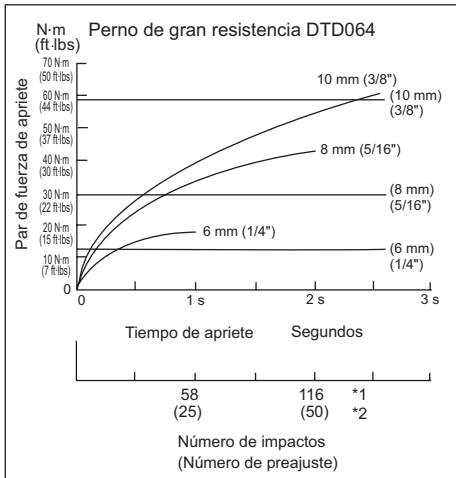
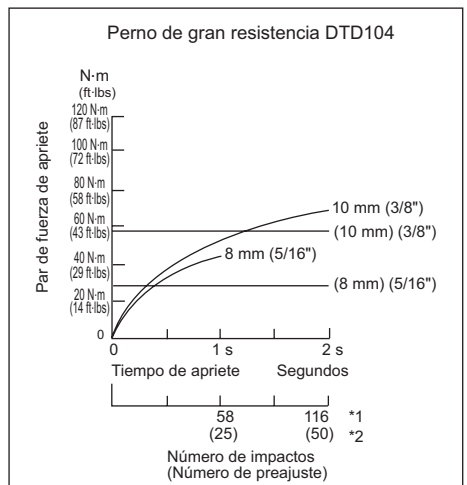
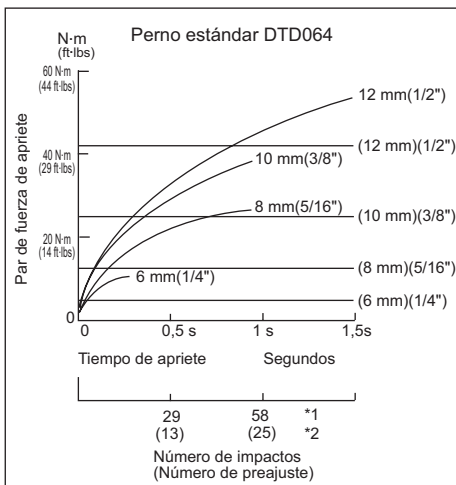
[*1] No es posible que el número preajustado de impactos se mayor a 200 (4 segundos).

[*2] El tiempo de fijación incluye cuando jala el gatillo por completo.

Puede que una torsión de fijación adecuada difiera dependiendo del tipo de tamaño del tornillo/perno, el material de la pieza de trabajo a ser atornillada, etc. La relación entre la torsión de fijación, el tiempo de fijación y el número de impactos (número preajustado) se ilustra en las figuras.

Sujete la herramienta firmemente y coloque la punta de atornillar en la cabeza del tornillo. Aplique la suficiente presión frontal a la herramienta como para que la punta no se deslice de la cabeza del tornillo y pueda proceder a la operación. Después de esto encienda la herramienta para comenzar la operación.



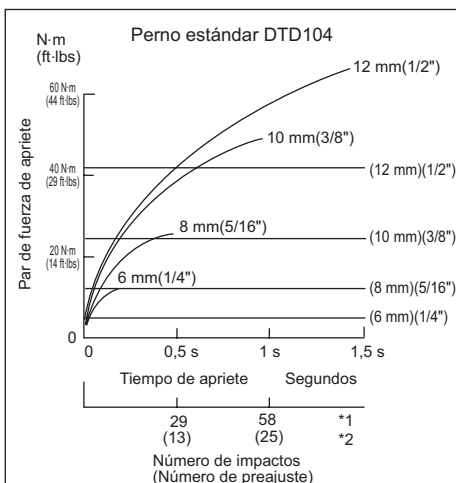


NOTA:

- Utilice la punta apropiada para la cabeza del tornillo/perno que desee utilizar.
- Sujete la herramienta dirigida en línea recta al tornillo.
- Si aprieta el tornillo durante más tiempo que el mostrado en las figuras, el tornillo o la punta de atornillar podrían desgastarse, estropearse, dañarse, etc. Antes de comenzar su tarea, realice siempre una operación de prueba para determinar la torsión de apriete apropiada para su tornillo.
- Si utiliza la herramienta continuamente hasta descargar el cartucho de batería, deje descansar la herramienta durante 15 minutos antes de proceder con una batería fresca.

La torsión de apriete se ve afectada por una amplia variedad de factores incluyendo los siguientes. Después del apriete, compruebe siempre la torsión de apriete con una llave de torsión.

1. Cuando el cartucho de batería esté casi completamente descargado, caerá la tensión y se reducirá la torsión de apriete.
2. Puntas para atornillar.
El no utilizar el tamaño correcto de puntas para atornillar, ocasionará una reducción de la torsión de apriete.
3. Perno o tornillo
 - Incluso si el coeficiente de torsión y la clase de tornillo son los mismos, la adecuada torsión de apriete variara en función del diámetro del tornillo.
 - Incluso si el diámetro del tornillo o perno es el mismo, la torsión de apriete correcta variará de acuerdo con el coeficiente de torsión, la clase y la longitud del perno o tornillo.
4. El uso de una junta universal o adaptador de enchufe reduce en cierta cantidad la fuerza de torsión de la herramienta. Compense mediante la aplicación de ajuste por un periodo mayor de tiempo.



5. Los tipos de material a ser fijados, la forma en cómo se sujeta la herramienta y la velocidad de ésta afectarán la torsión.
6. La operación de la herramienta a baja velocidad ocasionará una reducción de la torsión de apriete.

GARANTÍA LIMITADA DE MAKITA

Ésta Garantía no aplica para México

Consulte la hoja de la garantía anexa para ver los términos más vigentes de la garantía aplicable a este producto. En caso de no disponer de esta hoja de garantía anexa, consulte los detalles sobre la garantía descritos en el sitio web de su país respectivo indicado a continuación.

Estados Unidos de América: www.makitatools.com

Canadá: www.makita.ca

Otros países: www.makita.com

MANTENIMIENTO

⚠PRECAUCIÓN:

- Asegúrese siempre de que la herramienta esté apagada y el cartucho de batería extraído antes de intentar realizar una inspección o mantenimiento.
- Nunca use gasolina, bencina, diluyente (tíner), alcohol o sustancias similares. Puede que esto ocasione grietas o descoloramiento.

Para mantener la SEGURIDAD y FIABILIDAD del producto, las reparaciones, la inspección y el reemplazo de las escobillas de carbón, y cualquier otra tarea de mantenimiento o ajuste deberán ser realizados en centros de servicio de fábrica o autorizados por Makita, empleando siempre piezas de repuesto Makita.

ACCESORIOS OPCIONALES

⚠PRECAUCIÓN:

- Estos accesorios o aditamentos (incluidos o no) están recomendados para utilizar con su herramienta Makita especificada en este manual. El empleo de cualesquiera otros accesorios o acoplamientos conllevará un riesgo de sufrir heridas personales. Utilice los accesorios o acoplamientos solamente para su fin establecido.

Si necesita cualquier ayuda para más detalles en relación con estos accesorios, pregunte a su centro de servicio Makita local.

- Puntas de atornillar
- Protector (blanco, azul, rojo)
- Protector de la batería para BL1460A
- Protector de la batería para BL1415NA
- Batería BL1460A
- Batería BL1415NA
- Cargador original de Makita

NOTA:

- Algunos de los artículos en la lista puede que vengan junto con el paquete de la herramienta como accesorios incluidos. Puede que estos accesorios varíen de país a país.

< USA only >

WARNING

Some dust created by power sanding, sawing, grinding, drilling, and other construction activities contains chemicals known to the State of California to cause cancer, birth defects or other reproductive harm. Some examples of these chemicals are:

- lead from lead-based paints,
- crystalline silica from bricks and cement and other masonry products, and
- arsenic and chromium from chemically-treated lumber.

Your risk from these exposures varies, depending on how often you do this type of work. To reduce your exposure to these chemicals: work in a well ventilated area, and work with approved safety equipment, such as those dust masks that are specially designed to filter out microscopic particles.

< Sólo en los Estados Unidos >

ADVERTENCIA

Algunos polvos creados por el lijado, aserrado, esmerilado, taladrado y otras actividades de la construcción contienen sustancias químicas reconocidas por el Estado de California como causantes de cáncer, defectos de nacimiento y otros peligros de reproducción. Algunos ejemplos de estos productos químicos son:

- plomo de pinturas a base de plomo,
- sílice cristalino de ladrillos y cemento y otros productos de albañilería, y
- arsénico y cromo de maderas tratadas químicamente.

El riesgo al que se expone varía, dependiendo de la frecuencia con la que realice este tipo de trabajo. Para reducir la exposición a estos productos químicos: trabaje en un área bien ventilada y póngase el equipo de seguridad indicado, tal como las máscaras contra polvo que están especialmente diseñadas para filtrar partículas microscópicas.

Makita Corporation

3-11-8, Sumiyoshi-cho,
Anjo, Aichi 446-8502 Japan

www.makita.com

885695-933
DTD044-1
EN, FRCA, ESMX
20181004